

# specter

SPECTER STANDARD MODULES  
BREAK DOT

bold  
lighting



BREAK DOT

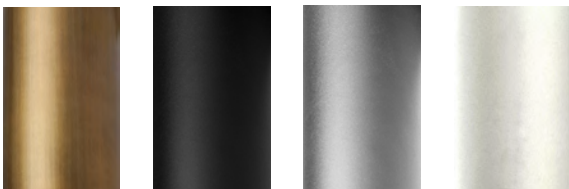
Our Magnetic track system, SPECTER, is a highly configurable, 2 circuits, 24VDC low voltage track system. Thanks to its magnet mounting technology, the modules are inter-changeable instantaneously. Our track is available in ceiling pendant, surface and recessed mounting for both ceiling and walls. SPECTER track is also available with an optional linear uplight feature. The BREAK module offers a wide range of optics along with a tilt up to 90° allowing the illumination of both horizontal or vertical planes.

- Up to 1900lm delivered output
- Available in 3 sizes, 3", 6" and 12"
- Adjustable tilt to 90°
- Available in low glare baffles
- 3 beam options, narrow, medium and wide
- Fixtures designed to mount in SPECTER track
- For fixture dimming refer to track driver specifications<sup>1</sup>
- Available in 4 standard finishes: Black, white, silver and bronze

Notes: <sup>1</sup> Dimming options, 0-10V, ELV and DALI

Code example: **SPSF-B03W-W-N827-2**

## STANDARD FINISHES



Z

B

S

W

## DELIVERED LUMEN OUTPUT

Length	Watts	CRI +80				CRI +90			
		2700K	3000K	3500K	4000K	2700K	3000K	3500K	4000K
3"	4W	405lm	450lm	495lm	544lm	326lm	363lm	399lm	439lm
6"	8W	668lm	743lm	817lm	899lm	539lm	599lm	659lm	725lm
12"	16W	1413lm	1570lm	1727lm	1900lm	1139lm	1266lm	1393lm	1532lm

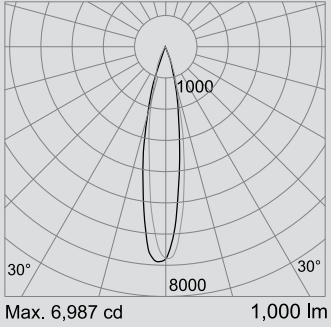
Series	Length		Body Finish		Baffle Finish		Beam Angle		CRI		Color Temp		Circuit	
<b>SPSF-B</b>	03	3"	W	White	W	White	N	12°	8	+80	27	2700K	1	1-Circuit
	06	6"	B	Black	B	Black	M	24°	9	+90	30	3000K	2	2-Circuit
	12	12"	S	Silver	S	Silver	F	36°			35	3500K		
			Z	Bronze	Z	Bronze					40	4000K		
			X	Custom	X	Custom								



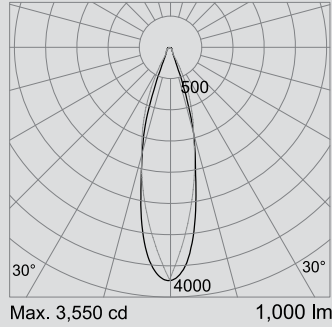
Bold Lighting  
4710 Ecton Dr., Marietta, GA 30066, USA  
info@boldlighting.us www.boldlighting.us  
t: +1-678-903-4061

Photometric data: Type C Polar Curves

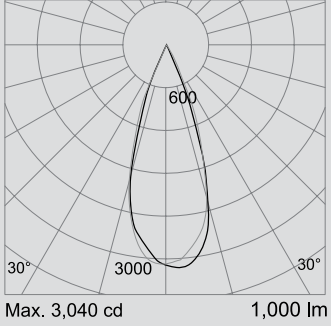
12° Beam Angle



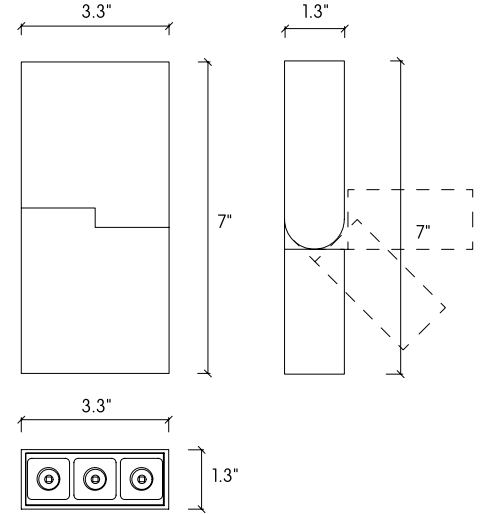
24° Beam Angle



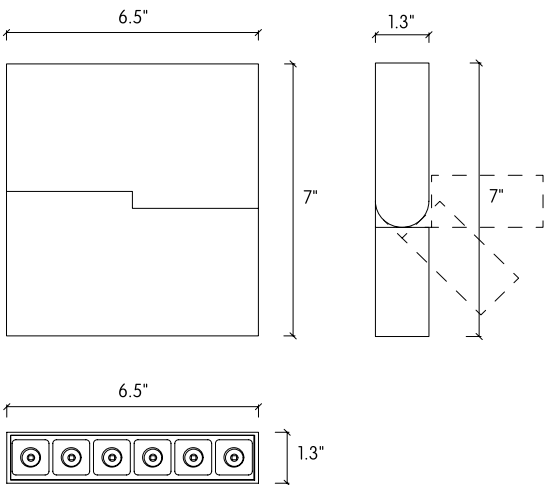
36° Beam Angle



BREAK 3



BREAK 6



BREAK 12

